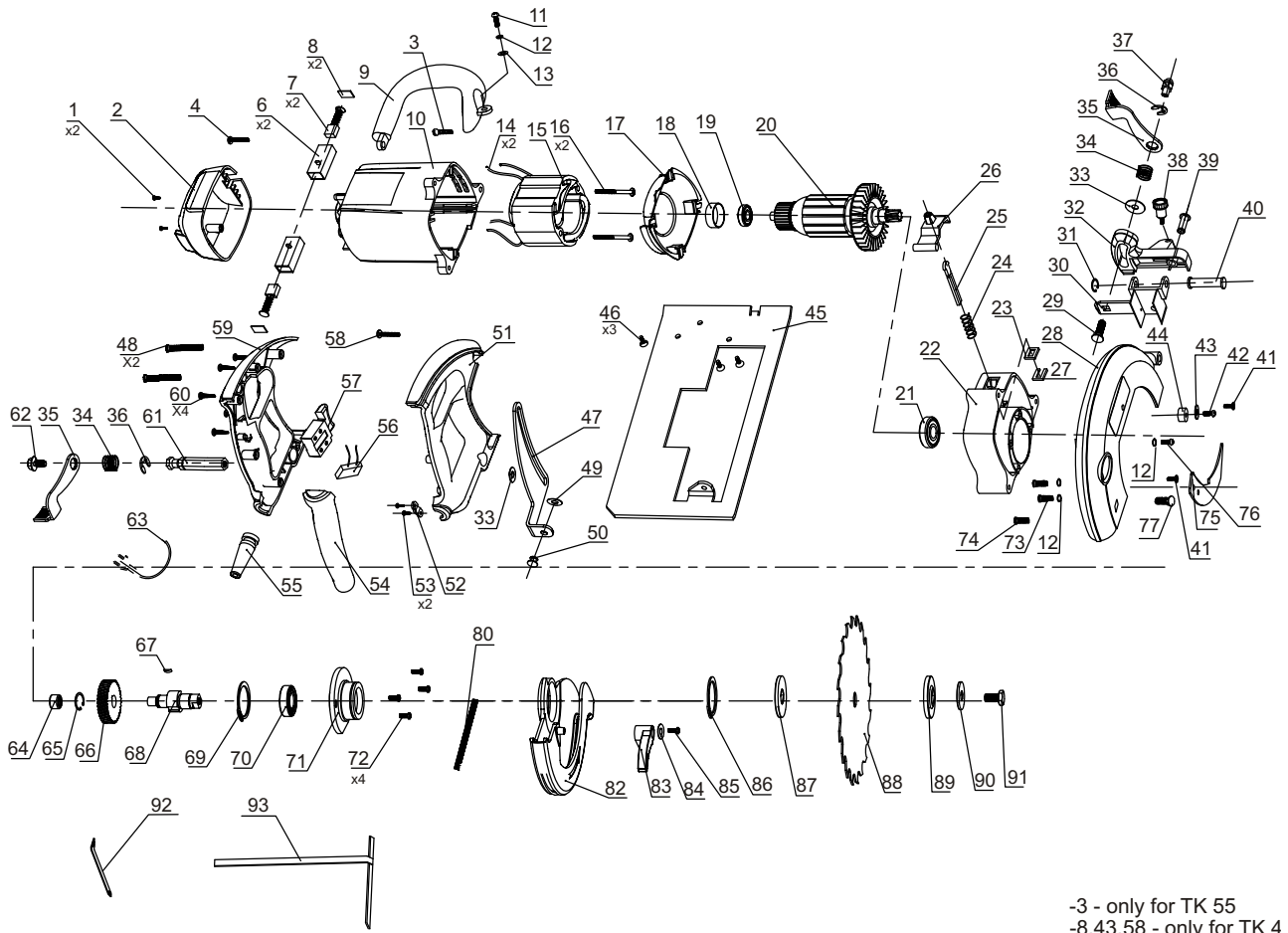


POS. No.	Ref.No.	Description	POS. No.	Ref.No.	Description
1	185939	SCREW ST 4.2X14/ C51421420R	48	186000	SCREW ST M5x55/ C61055520R
2	185940	REAR COVER/ H931005000	49	185988	WASHER 8x17x1.5/ C43081521R
4	185999	SCREW ST4.2x16/ C51421620R	50	185989	RIVET 8x11/ C11081121R
6	185941	BRUSH HOLDER/ G530007000	51	185990	RIGHT HANDLE/ H98100E000
7	185942	CARBON BRUSH G405083390	52	185992	CORD ANCHORAGE H000001000
8	185943	CARBON BRUSH CAP/ G52000L000	53	185993	SCREW ST4.2x14 / C51421420R
9	185945	AUXILIARY HANDLE/ H9A1003000	53	185939	SCREW ST 4.2X14/ C51421420R
10	185946	MOTOR HOUSING/ H91100C000	54	185994	SOFT LEATHER/ H962004000
11	185947	ROUND-HEADED SCREW M5x16/ C61051620R	55	185995	CORD SLEEVE/ H002003000
12	186036	SPRING WASHER/ C41051320R	56	185996	CAPACITANCE/ G612201000
13	185948	FLAT WASHER 5/ C43050120R	57	185997	SWITCH/ G12000E000
14	185949	LUG/ G350004010	58	185991	SCREW M5x25/ C61052520R
15	185950	STATOR/ GL91001200	59	185998	LEFT HANDLE/ H97100E000
16	185951	SCREW ST4.2x60	60	185999	SCREW ST4.2x16/ C51421620R
17	185952	WIND SHIELD/ H92100C000	61	186001	LOCKING LEVER/ I9C0001210
18	185953	BEARING SLEEVE/ H001001000	62	186002	HEX HEAD SCREW/M8x15/ C73081520R
19	185954	BEARING 607-2Z/ E12060700R	63	186003	POWER CORD/ G220001000
20	185955	ROTOR/ GL92001200	64	186004	NEEDLE BEARING/14x8x8/ E22080800R
21	185956	BEARING 6000/ E12600000R	65	186005	CIRCLIP/ C04122020R
22	185957	FRAME/ M91000E320	66	186006	GEAR/ K920001120
23	185958	SMALL SQUARE LUMP/ C400007210	67	186007	HALF-CIRCULAR KEY 3x10
24	185959	SPRING/ Z000004200	68	186008	OUTPUT SPINDLE/ J910005110
25	185960	SELF-LOCKING FLAKE/ I950006210	69	186009	CIRCLIP/ C02351020R//75
26	185961	SELF-LOCKING BUTTON/ H9H1001000	70	186010	BEARING/6003-2Z/ E12600300R
27	185962	FELT/ D340001000	71	186011	FRONT COVER/ M930006320
28	185963	FIXED GUARD/ M92000E320	72	186012	FLAT HEADED SCREW/M4x12/ C62041220R
29	185964	SQUAR NECK SCREW M8x26-L/ C71082620R	73	185983	ROUND-HEADED SCREW M5x16/ C61051620R
30	185965	CUTTING ANGLE FRAME/ I930008240	74	185984	ROUND-HEADED SCREW M4x16/ C61041620R
31	185966	CIRCLIP/ C04081020R	75	185980	RIVING KNIFE/ I96000A220
32	185967	CUTTING ANGLE SUPPORT/ M940001320	76	185979	ROUND-HEADED SCREW M5x14/ C61051420R
33	185968	WASHER/8x17x1.5/ C43081521R	77	185981	SQUARE NECK SCREW M8x20/ C71082020R
34	185969	SPRING/ Z000005200	80	186013	OFFSETTING SPRING/ Z010005200
35	185970	WRENCH/ I9A0004220	82	186014	MOVABLE GUARD/ I94000E310
36	185971	CIRCLIP/ C01122020R	83	186015	MOVABLE GUARD SPANNER/ H9C1007000
37	185972	SPECIAL NUT M8/ C30000122R	84	186016	FLAT WASHER/ 6x14x1.5/ C44061520R
38	185973	PARALLEL GUIDE SCREW M6/ /H9D1002000	85	186017	FLAT-HEADED SCREW/M5x10/ C62051020R
39	185974	RIVET 8x20/ C11082021R	86	186018	CIRCLIP/ C04422020R
40	185975	CYLINDRICAL PIN 12x8x49/ C200008110	87	186019	LOWER FLANGE/ Z100022000
41	185976	FLAT-HEADED SCREW M5x12/ C62051220R	88	186020	SAW BLADE/140x20x18/ F10100T010
42	185977	ROUND-HEADED SCREW M6x16/ C61061620R	89	186021	UPPER FLANGE/ Z110002200
43	186026	WASHER/5x14x1/C40000B202	90	186022	WASHER/8x24x2/ C44080220R
44	185978	FIXED LUMP/ H9F1001000	91	186002	HEX HEAD SCREW/M8x15/ C73081520R
45	185985	BASE / I91000C240	92	186024	SPANNER/ F204001200
46	186160	FLAT HEADED SCEW M5x10/ C62051020R	93	186025	GUIDE/ I990003400
47	185987	DEPTH SCALE/ I92000F220			

till 05.Jun.2014



-3 - only for TK 55  
-8,43,58 - only for TK 4